



WEVER & DUCRÉ
LIGHTING

MICK WALL 2.0

159454K3

Project
Type
Notes
Quantity
Date

GENERAL

Wall
 Surface
 Jet Black + Gold
 IP20
 Interior
 455 lm
 9005^a

LED

2700 K
 CRI 90
 L80 / 50000 h
 3-step binning

OPTICAL

Beam angle 17°

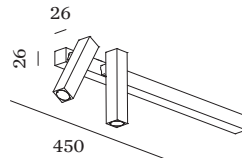
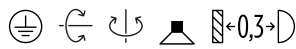
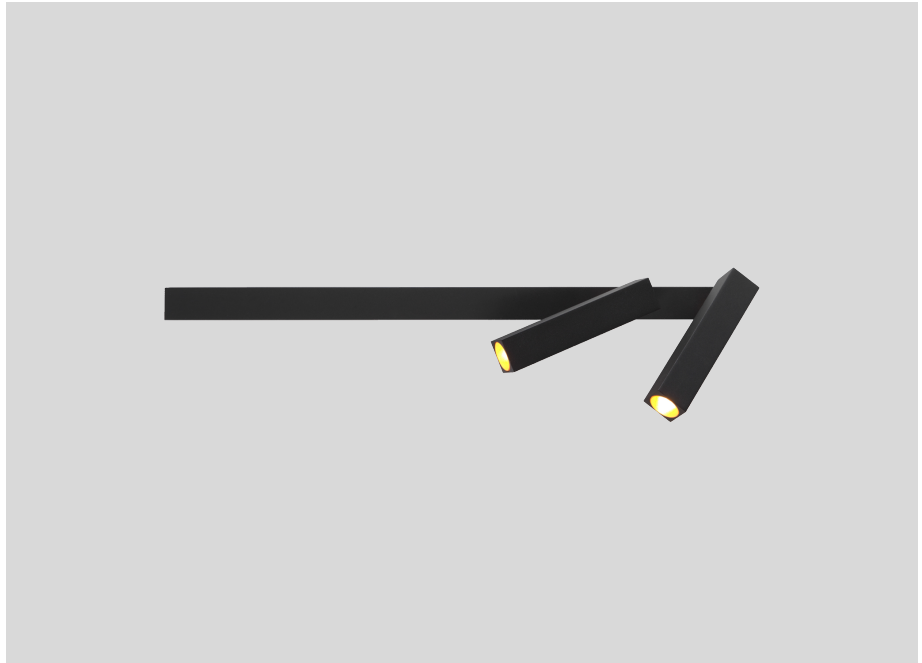
PHYSICAL

Length 450 mm
 Width 26 mm
 Height 26 mm
 0.62 kg
 Tilt min 90°
 Tilt max 90°
 Rotation 350°

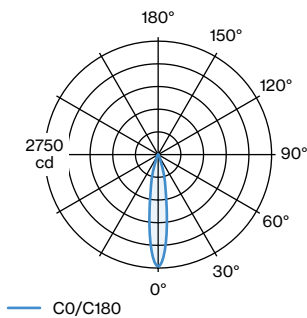
ELECTRICAL

incl. PS | phase-cut dim
 220 - 240 V
 Total connected power 13 W
 LED Inset 11 W
 PC1
 Safety distance 0.3 m

^a RAL Palette colors may deviate slightly due to production conditions.



LIGHT DISTRIBUTION





WEVER & DUCRÉ
LIGHTING

MICK WALL 2.0

159454K3

CONE DIAGRAM

18°

h (m)	E0° (lx)	ø (m)
1	2710	0.31
2	678	0.62
3	301	0.93
4	169	1.25
5	108	1.56