

# PANZERI

ALDECIMO

220-240V AC bilevel dimming

X02201.030.0112



Lighting fixture for wall built-in installation for interiors, with direct and indirect light emission. Total built-in structure in masonry or plasterboard, in pickled sheet metal in polyacrylic paint. Aluminium dissipation plate. Modelled polycarbonate diffuser with opaline finish. Pickled sheet metal closing plate in white polyacrylic paint. Opening and closing click mechanism. Pickled sheet metal brackets for plasterboard fixing. Built-in hole dimension: 295x295mm (11,6x11,6")

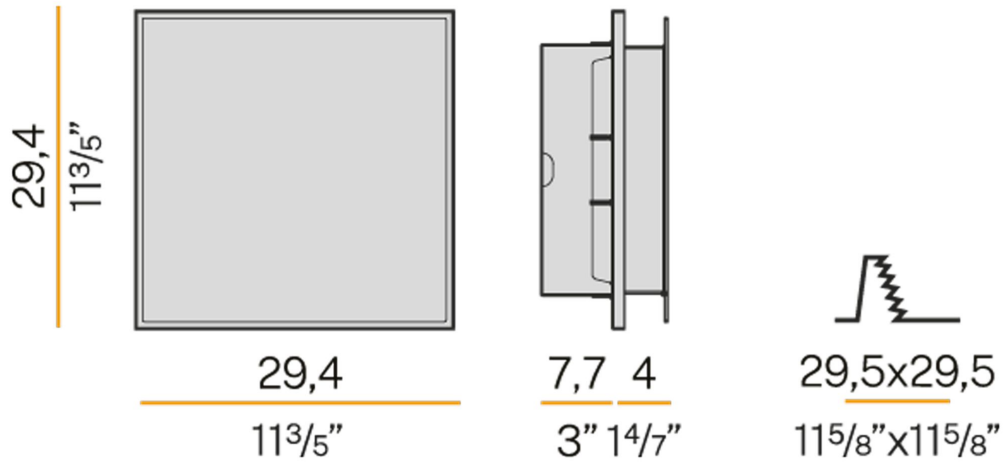
## Data sheet

CODE	X02201.030.0112
SYSTEM POWER CONSUMPTION	21W
EFFICACY	44.43lm/W
LIGHT SOURCE	LED
LIGHT SOURCE LIFETIME	L80 (B20) 60.000h
COLOUR TEMPERATURE	3000K Ra>80
LIGHT DISTRIBUTION	Diffused
POWER SUPPLY	220-240V AC
FREQUENCY	50/60Hz
ELECTRICAL CONFIGURATION	Bilevel Dimming
DRIVER	Integrated Included
NOMINAL LUMINOUS FLUX	2920lm
LUMEN OUTPUT	933lm
EFFICIENCY	31.952%
WEIGHT	1,2800Kg
PROTECTION DEGREE	IP20
COLOUR TOLLERANCES	SDCM 3
PACKING DIMENSIONS (CM)	40 x 16 x 40

White



# Technical drawing



# Polar pattern

