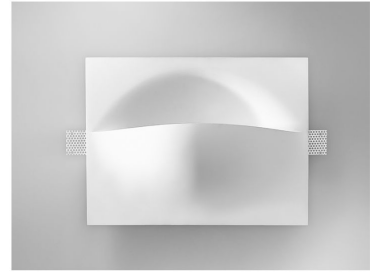


PANZERI

XGQ1031

220-240V AC ON-OFF

XGQ1031.0401



Lighting fixture for wall built-in installation for interiors, with indirect light emission. Total built-in plaster structure for masonry or plasterboard. Aluminium dissipation plate. Flat frosted glass diffuser. Fixing brackets in micro-perforated sheet metal. Recessed housing for masonry in galvanized sheet metal to be ordered separately. Built-in hole dimension: 410x310mm (16,1x12,2")

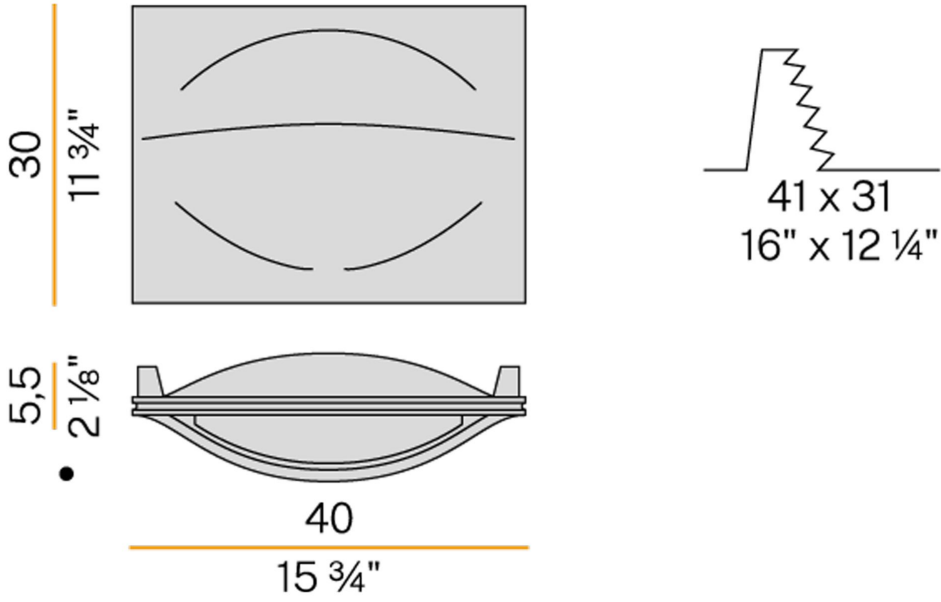
Data sheet

CODE	XGQ1031.0401
SYSTEM POWER CONSUMPTION	15W
EFFICACY	70.87lm/W
LIGHT SOURCE	LED
LIGHT SOURCE LIFETIME	L80 (B20) 80.000h
COLOUR TEMPERATURE	3000K Ra>90
LIGHT DISTRIBUTION	Diffused
POWER SUPPLY	220-240V AC
FREQUENCY	50/60Hz
ELECTRICAL CONFIGURATION	ON-OFF
DRIVER	Integrated Included
NOMINAL LUMINOUS FLUX	1898lm
LUMEN OUTPUT	1063lm
EFFICIENCY	56.006%
WEIGHT	3,2320Kg
PROTECTION DEGREE	IP20
COLOUR TOLLERANCES	SDCM 3
PACKING DIMENSIONS (CM)	0 x 0 x 0

Plaster



Technical drawing



Polar pattern

