



WEVER & DUCRÉ
LIGHTING

LUNA

SQUARE 1.0 PAR16

114220W0

Project	
Type	
Notes	
Quantity	
Date	

GENERAL

Ceiling	
Recessed	
Signal White	
IP44	
Interior	
300 ^a , 330 ^b , 335 ^c lm	
9003 ^d	

LED

Lamp PAR16	
PAR16	
Socket GU10	
max. 10 W	
L70 / 50000 h	

OPTICAL

Wide Flood	
UGR < 16	
65° < 1500 cd/m ²	

PHYSICAL

Length 90 mm	
Width 90 mm	
Height 114 mm	
0.26 kg	

ELECTRICAL

100 - 240 V	
Total connected power 8.8 ^c , 8.9 ^b , 10 ^a W	
PC2	
Safety distance 0.9 m	

CUTOUT

Length 76 mm	
Width 76 mm	
Min. ceiling thickness 8 mm	
Max. ceiling thickness 15 mm	
Recessed depth 120 mm	

^a LED 1800-2850K CRI 90 silver

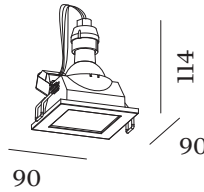
^b LED 3000K CRI 80 white

^c LED 2700K CRI 80 white

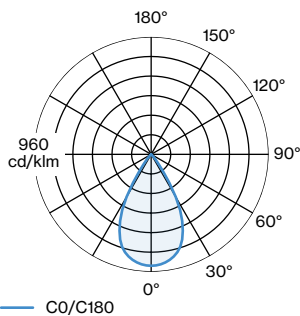
^d RAL Palette colors may deviate slightly due to production conditions.



IP44  



LIGHT DISTRIBUTION





WEVER & DUCRÉ
LIGHTING

LUNA SQUARE 1.0 PAR16

114220W0

LED LAMPS

PAR16 LED Lamp

TYPE	COLOUR	Ø · H (MM)	ORDERCODE
2700K >90 CRI GU10	Jet Black	∅50-58	9 0 1 2 2 8 B 3
3000K >90 CRI GU10	Jet Black	∅50-58	9 0 1 2 2 8 B 5
2700K >80 CRI GU10	Signal White	∅50-58	9 0 1 2 2 8 W 2
2700K >90 CRI GU10	Signal White	∅50-58	9 0 1 2 2 8 W 3
3000K >80 CRI GU10	Signal White	∅50-58	9 0 1 2 2 8 W 4

PAR16 LED Lamp | Ambient

TYPE	Ø · H (MM)	ORDERCODE
1800-2850K >90 CRI GU10	∅50-58	9 0 1 2 2 9 S 9

MOUNTING

Plasterkit

TYPE	L · W · H (MM)	ORDERCODE
LUNA 1.0 SQUARE	142-158-8	9 0 0 1 7 1 0 2