

# FLOS

## KELVIN LED BASE

<b>Mounting</b>	Base
<b>Lamps description</b>	30 TOP LED 3000K 325lm total CRI95 7,5W - Green Mode
<b>Environment</b>	Indoor
<b>Finish</b>	Anthracite, White, Chrome, Black
<b>Technical description</b>	Adjustable table lamp providing direct lighting, with double pantograph arm and adjustable head. Fused aluminum alloy body. Die-cast aluminum outer head, with injection-molded methacrylate diffuser. BASE external cover in ABS. Extruded aluminum alloy square tube (12x12mm) structure, machined mechanically, so that it houses a stainless steel load-compensation spring and injection-molded acetal resin sliding blocks. 3 mm diameter wire outer tie rods. Available in white, anthracite, black or chrome finishes. The ON/OFF switch is electronic with optical mechanism located in the head. Two possibilities to choose: - PERSONAL MODE (orange switch) Dimm the light intensity you like. - GREEN MODE (green switch) Now Kelvin LED becomes Green, saving even more energy thanks to his automatic compensation of the ambience light.

## ELECTRICAL

<b>Transformer availability</b>	Included
<b>Transformer mounting</b>	On plug
<b>Emergency</b>	Without
<b>Voltage (V)</b>	100/240V 50/60 Hz

## PHYSICAL

<b>Supply</b>	Power cord
<b>Cord length (mm)</b>	1800
<b>Construction material</b>	Aluminum
<b>Weight (kg)</b>	4.8



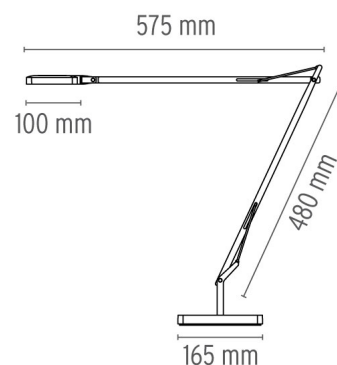
### Kelvin LED Base

designed by Antonio Citterio  
assistant Toan Nguyen

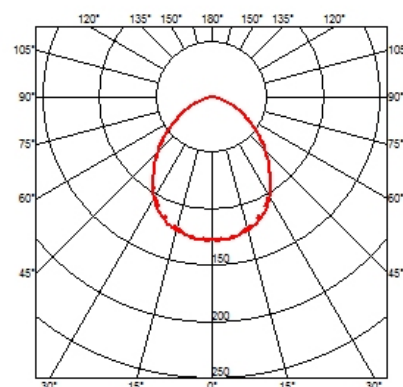
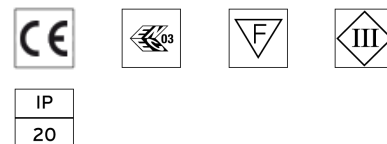
Adjustable table lamp providing direct lighting

- F3311030 Shiny black
- F3311009 Shiny white
- F3311033 Anthracite
- F3311057 Chrome

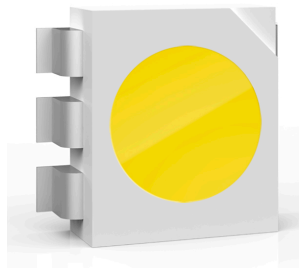
## DIMENSIONS



## CERTIFICATIONS



## Kelvin LED Base . Lamps



**TOP LED 7,5W 325lm  
3000K**

**Lamp wattage:**  
7,5 W

**Lamp category:**  
LED

**Socket:**  
Special base

**Color temperature (K):**  
3000 °K

**Lamp type:**  
LED



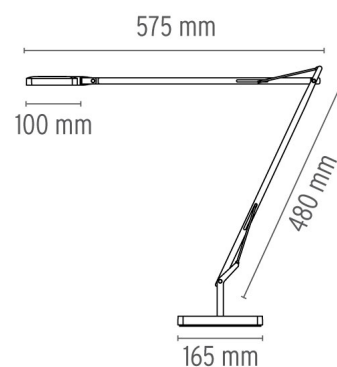
### Kelvin LED Base

designed by Antonio Citterio  
assistant Toan Nguyen

Adjustable table lamp providing direct lighting

- F3311030 Shiny black
- F3311009 Shiny white
- F3311033 Anthracite
- F3311057 Chrome

### DIMENSIONS



### CERTIFICATIONS

